



RCU installation instructions

Calorex remote condensing units (RCU) for Variheat, Delta and DH 150, 300, 600

Models RCU 150/200/300

Note: installations/servicing should only be carried out by a competent refrigeration engineer.

Siting

Locate RCU unit in required position with consideration for the following points:

- **Air flow**
Must be unobstructed on/off unit without any recirculation
- **Noise**
The units are intrinsically quiet but should not be sited in sensitive areas
- **Pipe runs**
A cheaper and more efficient installation will result from the pipe run lengths being kept to a minimum
- **Service**
In the event of service being required, access (800mm) will be needed to front and top panels, see figure 1

Refrigeration 'hook up'

- Remove 2 fixings 'B' (figure 1) and pull bottom of front panel away and downwards to remove
- Run discharge and liquid lines from the heat pump to RCU unit, using data overleaf to size
- Enter unit through grommet holes provided. Liquid to pipe from valve 'Y' (figure 2), discharge line to pipe from valve 'X' (figure 2). Expand and braze up joints
- **Important – leave valves in heat pump shut at this time**
- Evacuate to better than 28" Hg (65mbar) for a minimum of 30 minutes through service connection on liquid valve 'Y', with both valves unseated
- Before breaking vacuum add oil and gas charge (see graph overleaf)
- Pipe multiple installations as per figure 3
- Seal off system, open all valves, check for leaks and run units

Electrical

- Remove electrical enclosure over cover 4 x 'C' fixings (figure 2)
- Connect up to terminal block (in figure 2), as shown in figure 4. Using the grommet or conduit entry hole into the base of the unit, and utilising the cable strain relief clamps fitted

Figure 1

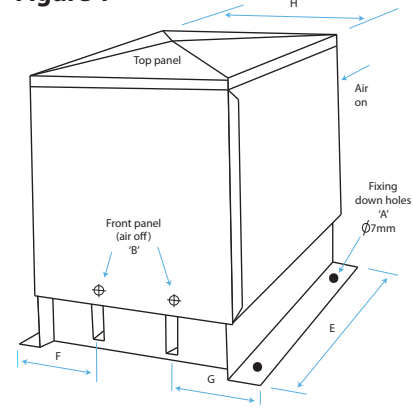


Figure 2

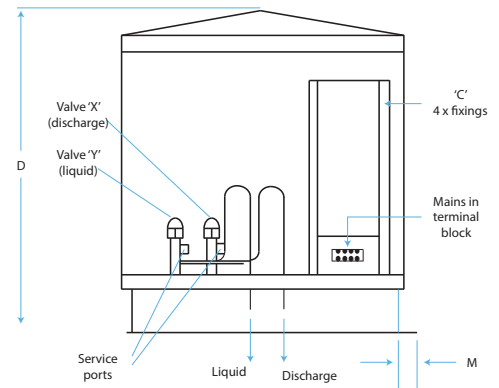


Figure 3

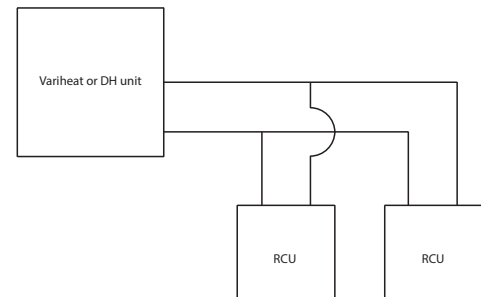
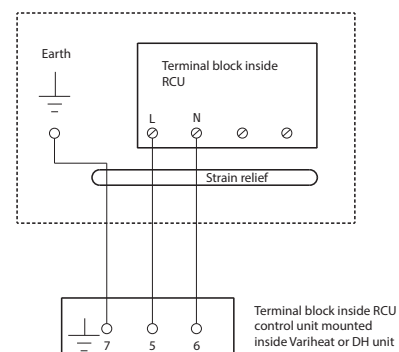


Figure 4

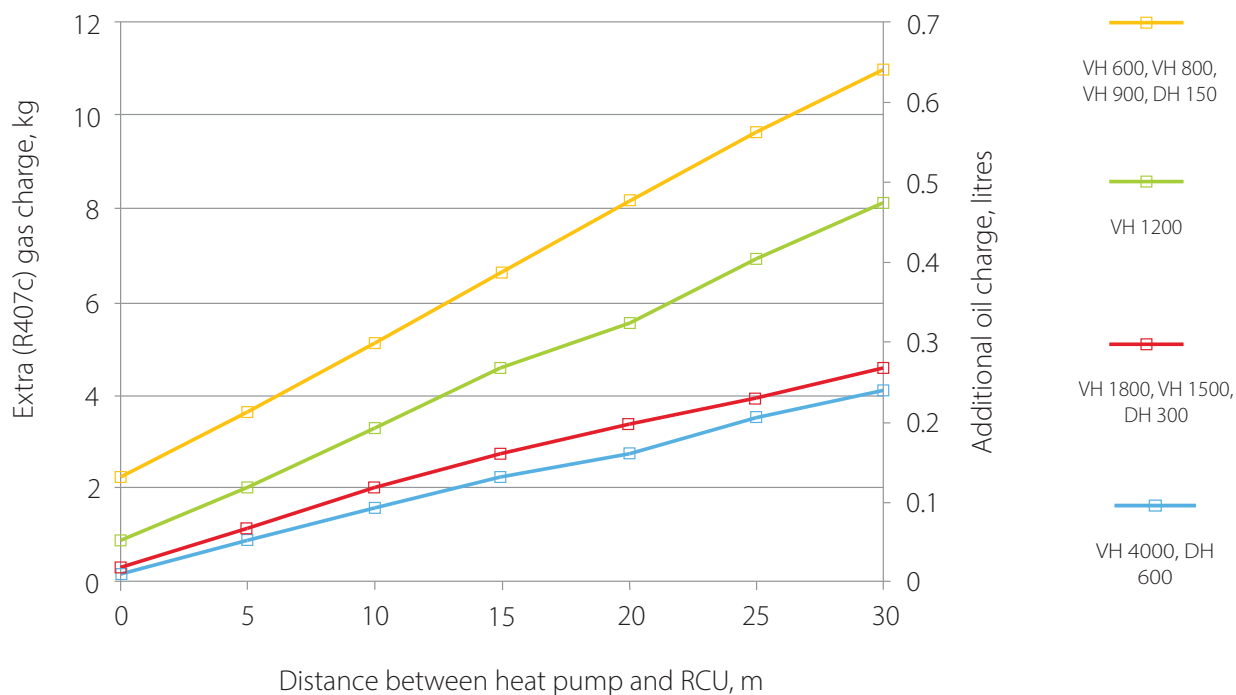


Technical data and selection

Specifications	Units	RCU 150	RCU 200	RCU 300
Nominal HP (fan)	HP	¼	2 x ¼	2 x ¼
Number of fans		1	2	2
Nominal air flow	m ³ /h	2150	3700	3700
Internal fuse	A	5	2	2
Full load amps	A	1.3	3	2.6
Condenser rows		5	3	5
Fins per inch		10	10	10
Bar stock valve size	inches	½	¾	¾
Heat of rejection at 55°C condensing, 35°C ambient	kW	10.7	12.8	17
Width (Dimension H)	mm	630	1010	1010
Depth (Dimension E)	mm	690	690	690
Height (Dimension D)	mm	580	580	580
Weight	kg	47	68	68

Heat pump model	Remote condenser required			
	Tube size		Max distance	For max 35°C ambient condenser unit model
	Discharge	Liquid		
Variheat 600/900	½"	½"	15 or 30m	RCU 150
Variheat 800	½"	½"	15 or 30m	RCU 150
Variheat 1200	½"	½"	15 or 30m	RCU 200
Variheat 1500	¾"	¾"	15 or 30m	2 x RCU 150
Variheat 1800	¾"	¾"	15 or 30m	RCU 300
Variheat 4000	¾"	¾"	15 or 30m	RCU 300
DH 150	½"	½"	15 or 30m	RCU 150
DH 300	¾"	¾"	15 or 30m	2 x RCU 200
DH 600	¾"	¾"	15 or 30m	3 x RCU 300

All figures ±5%



Note: For selection of RCU's for Delta and HRD please contact Dantherm Group UK



For more information on Calorex products, email sales.uk@dantherm.com call +44 (0)1621 856611 or visit danthermgroup.co.uk

Calorex is brand of the
DANTHERM GROUP